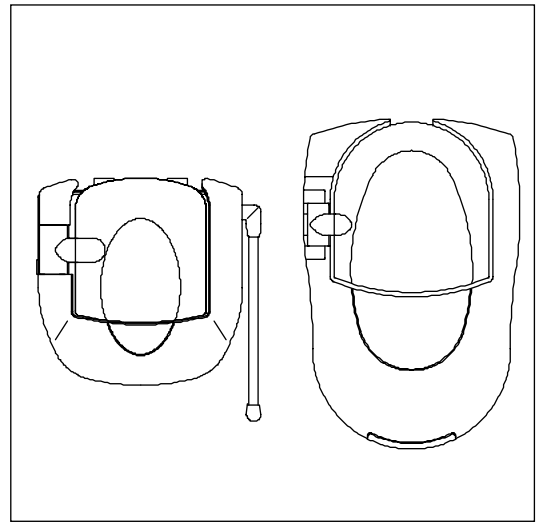




Video Sender

AUDIO/VIDEO EXTENDER SYSTEM



OWNER'S MANUAL

MODEL VK54A

(INCLUDES VT32A SENDER & VR30A RECEIVER)

INTRODUCTION

The VT32A Video Transmitter works with the VR30A Video Receiver. Both are included in the VK54A Wireless Video Sender kit. You connect the VT32A Sender to your DBS receiver, VCR, Cable Box, etc., and connect the VR30A Receiver to the TV which can be in another room, up to 100 feet away. The Video Sender converts the Audio and Video signals from your DBS receiver, VCR, Cable Box, etc., into wireless Radio Frequency (RF) signals and transmits them (even through walls) to the Video Receiver unit. The Video Receiver converts the signals back to A/V signals which are fed through a cable to your TV's COAX or A/V input jacks.

When used with X10 universal remotes your Video Sender also lets you operate some brands of DBS while watching it in another room. By purchasing an optional Powermid IR Extender System (Model PM5900) you can control other A/V products such as VCRs, Cable Boxes, etc. while watching a TV in another room.

FCC CAUTION

THIS DEVICE COMPLIES WITH PART 15 OF THE FCC RULES. OPERATION IS SUBJECT TO THE FOLLOWING TWO CONDITIONS:
 (1) THIS DEVICE MAY NOT CAUSE HARMFUL INTERFERENCE, AND
 (2) THIS DEVICE MUST ACCEPT ANY INTERFERENCE RECEIVED, INCLUDING INTERFERENCE THAT MAY CAUSE UNDESIREED OPERATION.

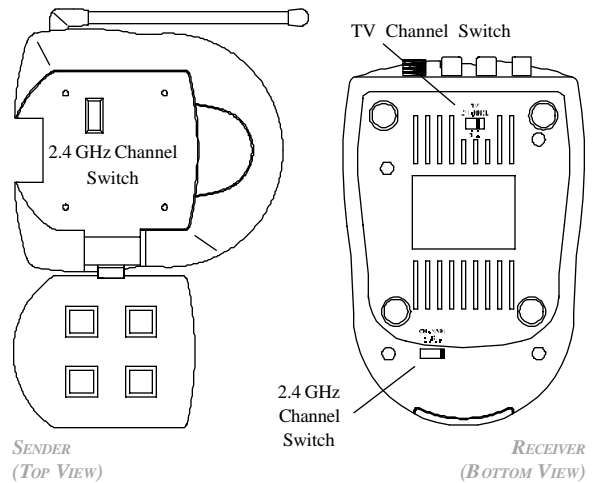
This equipment generates and uses radio frequency energy, and if not installed and used properly, that is, in strict accordance with the manufacturers instructions, it may cause interference to radio and television reception. It has been type tested and found to comply with the limits for remote control devices in accordance with the specifications in Sub-Parts B and C of Part 15 of FCC Rules, which are designed to provide reasonable protection against such interference in a residential installation. However, there is no guarantee that interference will not occur in a particular installation. If this equipment does cause interference to radio or television reception, which can be determined by unplugging the equipment, try to correct the interference by one or more of the following measures.

- Reorient the antenna of the radio/TV experiencing the interference.
- Relocate the equipment with respect to the radio/TV.
- Move the equipment away from the radio/TV.
- Plug the equipment into an outlet on a different electrical circuit from the radio/TV experiencing the interference.
- If necessary, consult your local Dealer for additional suggestions.

NOTE: Modifications to this product will void the user's authority to operate this equipment.

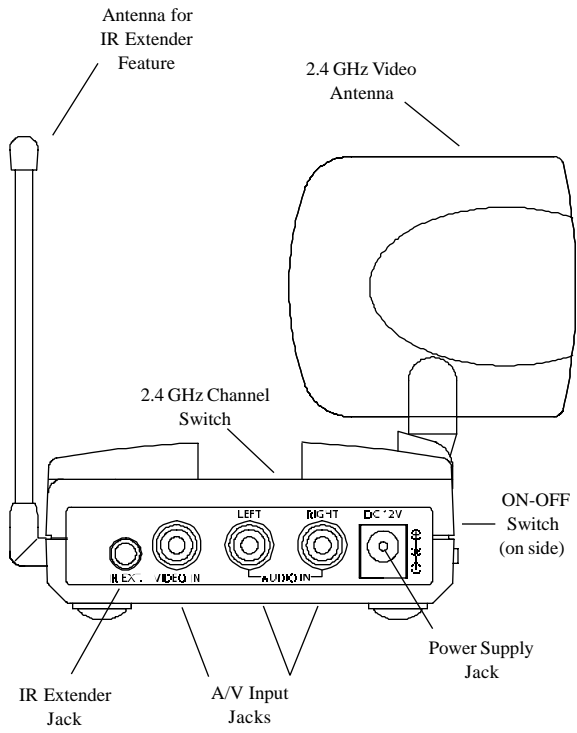
CONTENTS

CONTROLS AND CONNECTIONS	4
<i>VIDEO SENDER</i>	4
<i>VIDEO RECEIVER</i>	5
CONNECTING UP	6
<i>HOOKING UP THE VIDEO SENDER</i>	6
<i>HOOKING UP THE VIDEO RECEIVER</i>	8
<i>IF YOU WANT TO USE YOUR VIDEO SENDER TO TRANSMIT FROM YOUR STEREO SYSTEM ONLY</i>	9
REMOTE EXTENDER FEATURE	10
TROUBLESHOOTING	10



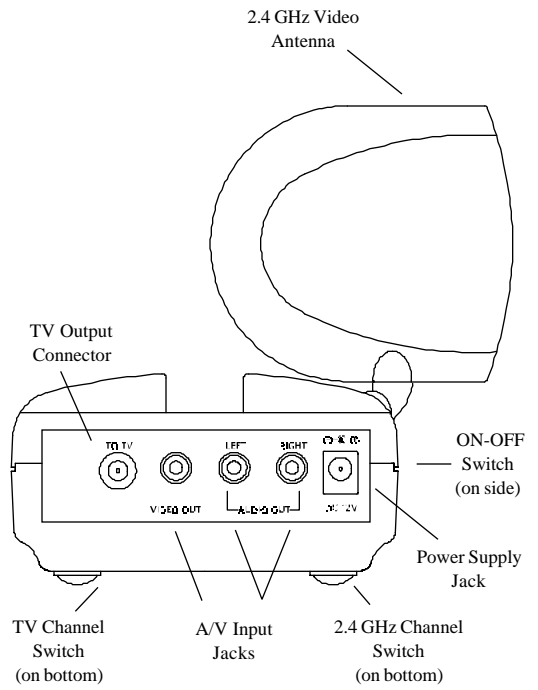
CONTROLS AND CONNECTIONS

VIDEO SENDER



4

VIDEO RECEIVER

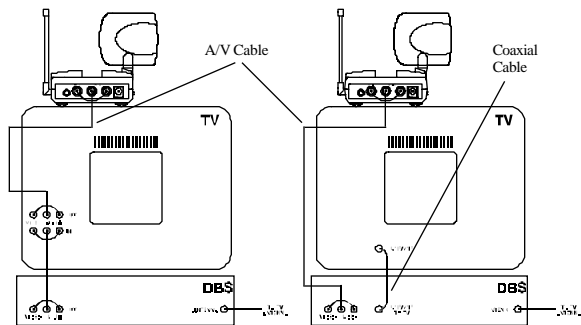


5

CONNECTING UP

1. Connect one set of Audio/Video cables to the VIDEO and AUDIO jacks of the Video Sender. Take care to match the colors of the plugs on the cable with the jacks on the Video Sender.
2. Connect the other end of the cable to the Audio/Video OUT jacks on your primary TV (the one you want to send the picture FROM). Take care to match the colors of the plugs on the cable with the jacks on the TV. If the jacks on the TV are colored differently, connect the yellow plug to the jack labelled VIDEO, the red plug to the jack labelled AUDIO RIGHT and the white plug to the jack labeled AUDIO LEFT.

Note: If your TV does not include Audio/Video OUT jacks, you will need to remake the connections as shown in diagram b) using the TV antenna (coaxial) connections to link up the DBS Receiver/Cable Box/VCR to your TV.



a) Connections for a TV with A/V OUT jacks.

b) Connections for a TV without A/V OUT jacks.

6



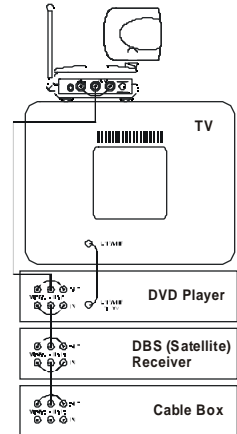
3. Plug the Video Sender's Power Supply (the smaller of the two power supplies) into a convenient 120 volt wall outlet and plug its jack into the Video Sender.
4. Position the Video Sender in a convenient location such as on top of the TV and orient the antenna so that the flat side points in the direction of the room where you will be installing the Video Receiver.

IF YOU HAVE SEVERAL A/V COMPONENTS

If you have two or more A/V components (e.g. DBS, VCR, Cable Box, DVD, etc.) that you want to watch in another room, they will probably already be hooked up to the local TV in series (see the diagram to the right). To connect the Video Sender you just need to identify the last component in the chain and connect its LINE OUT jacks to the Video Sender's A/V jacks.

If the last component in the chain does not have spare LINE OUT jacks, reconnect the TV to the last component in the chain using the included COAX cable to connect the VHF/UHF ports, then use the A/V connections for the Video Sender.

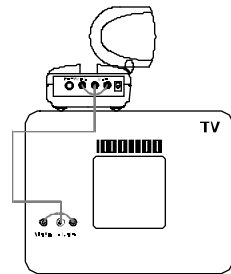
Point the small tubular antenna up if you intend to use the IR Extender feature (See page 10).



7

HOOKING UP THE VIDEO RECEIVER

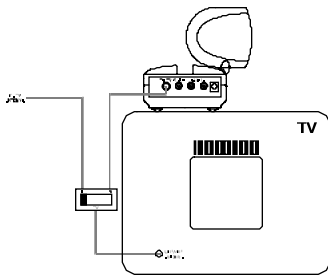
1. Connect a set of Audio/Video cables to the A/V OUT jacks on the Audio/Video Receiver. Connect the other end to your TV (use Yellow for video, and either L or R channel for audio).
2. Plug the Audio/Video Receiver's Power Supply jack (the larger power supply than the one used for the Sender) into the Audio/Video Receiver and plug the power supply into a 120 volt wall outlet.
3. Turn the Audio/Video Receiver's power switch (on side of unit) on.
4. Set the channel switch to the same letter as you set on the Video Sender, A, B, C, or D.
5. Position the Audio/Video Receiver in a convenient location such as on top of the TV and orient the antenna so that the flat side points in the direction where you set up the Video Sender.



IF YOUR TV DOES NOT HAVE A/V CONNECTORS

You can use the supplied coaxial cable to connect the TV OUT socket on the Audio/Video Receiver to the Antenna input on your TV.

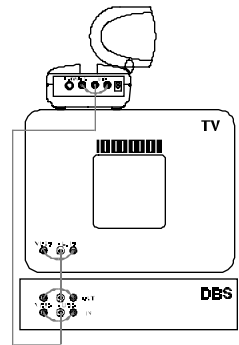
If you already have an antenna connected to your TV, you will need to use a TV antenna splitter. Set your TV and the TV Channel switch on the Audio/Video Receiver (on bottom) to the same channel (3 or 4).



8

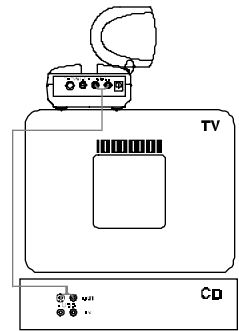
IF YOUR TV IS ALREADY HOOKED UP TO A DBS RECEIVER OR OTHER A/V DEVICE

If a DBS Receiver or other A/V component is connected to the TV using A/V cables, you can connect the Audio/Video Receiver to the free LINE IN jacks on the component. If there are no LINE IN jacks, you will need to use a TV antenna splitter as described earlier.



IF YOU WANT TO USE YOUR VIDEO SENDER TO TRANSMIT FROM YOUR STEREO SYSTEM ONLY

Just hook up the Video Sender using only the red and white jacks for the right and left channels of the audio signal. Leave the yellow (video) jack and COAX cable unconnected.



9

THE REMOTE EXTENDER FEATURE

The Remote Extender feature allows X10 universal remotes to control some models of RCA DBS Receivers from another room. For example, you can change channels on your Satellite Receiver while viewing in another room.

To use the Remote Extender Function you need to use the included Remote Extender Cable. Connect this cable to the IR jack on the Video Sender. Connect the other end of the cable to the IR Control input on the RCA DBS Receiver (DBS II or later model).

Point the small tubular antenna on the Video Sender up.

To operate the controls on the RCA DBS Satellite Receiver from another room, just press the appropriate buttons on the remote (in SAT mode). The remote sends RF signals directly to the Video Sender, even through walls. The Video Sender passes these signals through the Remote Extender cable to the RCA DBS Satellite Receiver.

TROUBLESHOOTING

If you do not see a picture on your TV:

Check that the Sender and the Receiver are on the same letter channel (A, B, C, or D). The channel switches are on the bottom of the units.

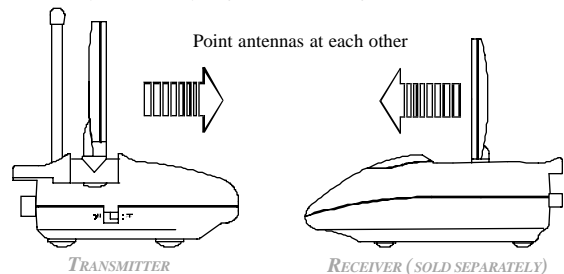
There is a power light on the front of each unit. Check that the power switch on the side of each unit is ON.

Verify that your connections to the TV are correct. If you are using the RCA jacks, make sure you are using the appropriate input mode for your TV, try pressing the A-B button or Video button on your TV's remote control to change the input mode (consult your TV's owner's manual, if necessary). If you are using the COAX cable, verify that the Receiver and the TV are on the same channel (3 or 4).

If you connected the Receiver to a VCR and then connected the VCR to your TV, you might need to turn the VCR OFF to see the picture on your TV. Or you might need to turn the VCR on, AND set it to record the picture from the Video Sender, in order to see the picture on your TV. Or you might need to press the A-B button on your VCR's remote control. Consult your VCR's owner's manual for more information.

If you get a picture but the quality is poor:

Try different positions for the antennas on the Sender and Receiver. The system usually works best with the flat side of the antennas facing each other (see diagram below). Sometimes, however, reflections and other effects in the home might affect the signal so that some adjustment of either the Sender or Receiver antenna may be necessary to get the best signal.



Take a look at what the video signal is passing through or near to get to the Receiver. Metal objects and electromagnetic fields can distort the signal. Try to keep the Receiver as far away from other devices as the cables allow. In most cases, relocating the Sender or Receiver a few feet is enough to avoid the source of interference.

Try unplugging/turning off any electromagnetic interference producing devices, such as a microwave oven, baby monitor, computer, wireless LAN, wireless speakers, cordless phone, cell phone, etc. Other 2.4 GHz devices can distort the picture and/or cause buzzing in the audio. If you are experiencing interference between the Video Sender and some other equipment that uses 2.4 GHz, check the other device's owner's manual for the frequencies of each channel that it uses. X10 Video Senders use the following frequencies: Channel A: 2.411 GHz, Chan B: 2.434 GHz, Chan C: 2.453 GHz, Chan D: 2.473 GHz. We recommend using a frequency on the other device that is farthest from channel A or D, depending on which side of the band the other device is transmitting. Otherwise you will need to discontinue use of the device while using the Video Sender and Receiver.

For more help with setup please visit www.x10.com/support



12 MONTH LIMITED WARRANTY

X10.COM A DIV. OF X10 WIRELESS TECHNOLOGY, INC. (X10) WARRANTS ITS PRODUCTS TO BE FREE FROM DEFECTIVE MATERIAL AND WORKMANSHIP FOR A PERIOD OF ONE (1) YEAR FROM THE ORIGINAL DATE OF PURCHASE AT RETAIL. X10 AGREES TO REPAIR OR REPLACE, AT ITS SOLE DISCRETION, A DEFECTIVE X10 PRODUCT IF RETURNED TO X10 WITHIN THE WARRANTY PERIOD AND WITH PROOF OF PURCHASE.

IF SERVICE IS REQUIRED UNDER THIS WARRANTY:

1. CALL 1-800-675-3044, OR VISIT WWW.X10.COM, OR E-MAIL SALES@X10.COM TO OBTAIN A RETURN MERCHANDISE AUTHORIZATION (RMA) NUMBER.
2. RETURN THE DEFECTIVE UNIT POSTAGE PREPAID TO THE ADDRESS BELOW
3. ENCLOSE A CHECK FOR \$4.00 TO COVER HANDLING AND RETURN POSTAGE.
4. ENCLOSE A DATED PROOF OF PURCHASE.
5. X10 IS NOT RESPONSIBLE FOR SHIPPING DAMAGE. UNITS TO BE RETURNED SHOULD BE PACKED CAREFULLY.

THIS WARRANTY DOES NOT EXTEND TO ANY X10 PRODUCTS WHICH HAVE BEEN SUBJECT TO MISUSE, NEGLIGENCE, ACCIDENT, INCORRECT WIRING OR TO USE IN VIOLATION OF OPERATING INSTRUCTIONS FURNISHED BY US, NOR EXTEND TO ANY UNITS ALTERED OR REPAIRED FOR WARRANTY DEFECT BY ANYONE OTHER THAN X10. THIS WARRANTY DOES NOT COVER ANY INCIDENTAL OR CONSEQUENTIAL DAMAGES AND IS IN LIEU OF ALL OTHER WARRANTIES EXPRESSED OR IMPLIED AND NO REPRESENTATIVE OR PERSON IS AUTHORIZED TO ASSUME FOR US ANY OTHER LIABILITY IN CONNECTION WITH THE SALE OF OUR PRODUCTS.

SOME STATES DO NOT ALLOW LIMITATIONS ON HOW LONG AN IMPLIED WARRANTY LASTS, AND/OR THE EXCLUSION OR LIMITATION OF INCIDENTAL OR CONSEQUENTIAL DAMAGES SO THE ABOVE LIMITATIONS AND EXCLUSIONS MAY NOT APPLY TO THE ORIGINAL CUSTOMER. THIS WARRANTY GIVES YOU SPECIFIC RIGHTS AND YOU MAY ALSO HAVE OTHER RIGHTS WHICH VARY FROM STATE TO STATE.

X10.com, a div. of X10 Wireless Technology, Inc.

Returns Depot, 3824 North 5th St.,

Suite C, North Las Vegas, NV 89032

Web Site: www.x10.com

VK54A-9/01

